

## Vision 700-3



- Compact-design, modern and functional digital readout
- Diagnostic of readout and optical scales (internal cleaning and/or internal defects)
- Reading of coded references (in combination with NCS scale)
- Universal software for any kind of machine tool
- Software upgrade through serial port
- Program store for 1000 blocks
- Optional: flush-mounted version (on a panel)

### Electrical data

Display	3 displays + optional LCD 7 high-efficiency digits h = 17 mm
Available resolutions	200 - 100 - 50 - 20 - 10 - 5 - 2 - 1 - 0.5 $\mu$ m 1° - 0.5° - 0.2° - 0.1° - 0.05° - 0.02° - 0.01° - 0.005° - 0.002° - 0.001°
Power supply	230 Vac $\pm$ 10% - 50/60 Hz 110 Vac $\pm$ 10% - 60 Hz 24 Vac $\pm$ 10% - 50/60 Hz
Current consumption	230 Vac - 50 mA <sub>MAX</sub> 110 Vac - 100 mA <sub>MAX</sub> 24 Vac - 450 mA <sub>MAX</sub>
Encoder input per axis	2 square waves, phase displacement 90° $\pm$ 5° + synchronized index 5 Vdc
Maximum input frequency	300 kHz

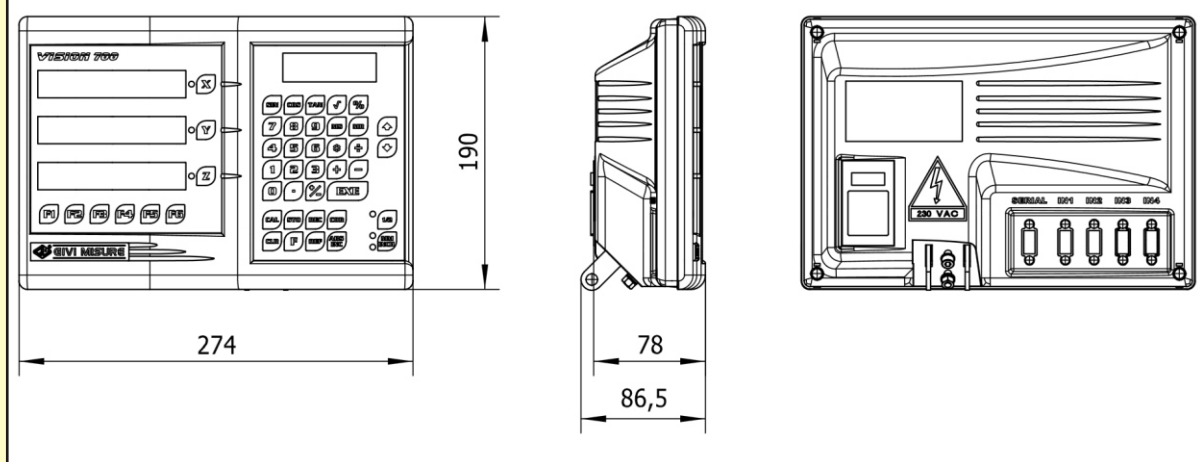
### Mechanical data

Weight	~ 1kg
Operating temperature	0° - 50°
Storage temperature	-20° - 70°
Relative humidity	95% (not condensed)
Vibration resistance (EN 60068-2-6)	25 m/s <sup>2</sup> [55 - 2000 Hz]
Protection class (EN 60529)	Keyboard IP 67 rear panel IP 42
Applicable to	Lathe - milling machine - boring machine - etc.
Version	Standard or flush-mounted

### Main functions

- Self-testing
  - Zero approaching alert
  - Device diagnostic
  - Setting the type of spindle rotation speed
  - Inversion of counting direction
  - Constant pitch
  - Absolute/Incremental counting
  - Variable resolution
  - Scale factor
  - Memory clearing
  - Midpoint calculation
  - Round flange
  - Calculator
  - Programming the memory block
  - Special functions recall
  - mm/inch conversion
  - Linear correction
  - 100 origins of the axes
- LCD Version**
- Language selection
  - Peripheral speed calculation
  - Taper calculation
  - Angular speed calculation
  - Automatic taper calculation
  - Scale factor displaying
  - Threads calculation
  - Axes speed displaying
  - Material weight calculation

### Dimensions



### Ordering example

Example: COUNTER VI7 3 3 TO L 230V 0 10

Model	Displayed axes	Input axes	Machine type	LCD	Power supply	Version	Resolution
VI7	3	3	TO	L	230V	0	10
	2 = 2 axes 3 = 3 axes	2 = 2 axes 3 = 3 axes 4 = 4 axes		L = with LCD N = without LCD	230V = 230 Vac 110V = 110 Vac 24V = 24 Vac		10 = 0,1 mm 100 = 0,01 mm 5 = 0,005 mm 1 = 0,001 mm
			IN = any type TO = lathe FR = miller			0 = standard red 1 = flush-mounted red 4 = standard green 5 = flush-mounted green	